

MasterCue V⁶ USB

MasterCue V6 is the latest version of our flagship MasterCue range, continuing to ensure reliable Professional Cueing for the Professional Presentation Industry. V6 has grown from the success of the V5 and also incorporates our clients' valuable feedback on what they require from their systems.

Version V6 has 3 USB ports for independent control of 3 USB compliant computers be it PC, MAC, Linux etc. Intercom interface is available in both mono and stereo headsets with the 4 pin and 5 pin loop through connections, the tones can be heard in either the left or the right ear of the systems.

A confidence lamp is now standard following clients requests to use this on the large shows. Auto orientation is available to maintain the screen graphics whether the unit is horizontal or vertical. Wired button for full back up has always, and will continue to be, supplied to ensure full and complete back up as standard.

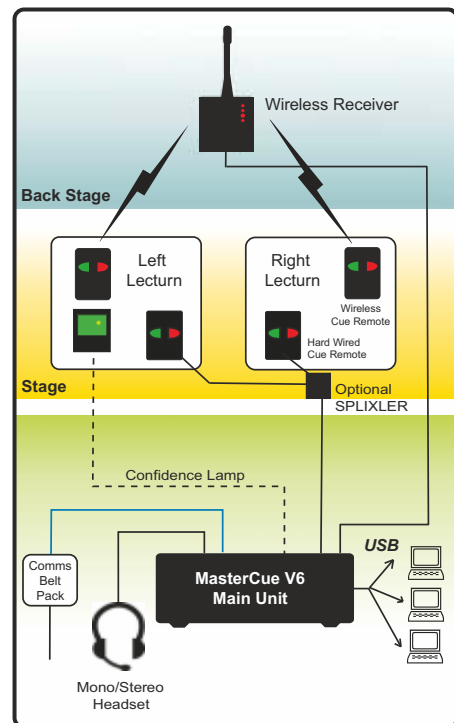
For easy rack fitting, the unit can also be fitted with rack mount ears.

Main features

- ✓ 3 individually enabled USB ports for computer control
- ✓ Intercom loop through for mono and stereo headsets
- ✓ Confidence lamp for presenter to prove operation
- ✓ Wired button for full back up as standard
- ✓ Auto rotate of display to ensure H or V orientation



*When a Missed Cue
is Simply Not an Option!*



Interspace Industries

Unit 7 Polaris Centre, 41 Brownfields, Welwyn Garden City, Hertfordshire, AL7 1AN, UK

call: +44 (0) 1462 600 101

email: moreinfo@interspaceind.com

web: www.interspaceind.com

3 Year Limited Factory Warranty



Specifications

Signals:

- RF 434.075Mhz
- RF signal type FM FSK
- Audio out Balanced 600 Ohms 1Vp-p Variable
- 12V switching signal on peripherals

Connectors

- RF Receiver: BNC for aerial and XLR female
- Main unit: Male XLR for RF Receiver input
- Female XLR for wired button input
- Male XLR for confidence lamp
- Audio Intercom, top through for 4 pin and 5 pin XLR, Male and Female.
- 1/4" jack socket for balanced output
- 3 x USB series B connector for computer control
- 1 x USB series A connector for keyboard programming

Accessories Included:

- 2 x Wireless remotes (2 button)
- 1 x RF receiver
- 1 x Aerial
- 1 x Hand-wired remote
- 3 x USB series A-B cables
- 1 x 4 pin Comms cable
- 1 x 5 pin loop through Comms cable
- 1 x Mains Lead/Power cord
- 1 x Confidence Lamp
- 1 x Universal stand?

Available Options:

Additional handsets

Up to 16 units of 1 or 2 button handsets can be used on V6 to each RF receiver.



Cue4

Up to 4 Cue4 units can be attached to the Main unit to give 19 computers to control.



Universal stand

Great for Confidence Lamp and RF receiver.



Splixler

To add extra wired handsets, CombiLamps, wired "OR" receivers etc. use a SPLIXLER

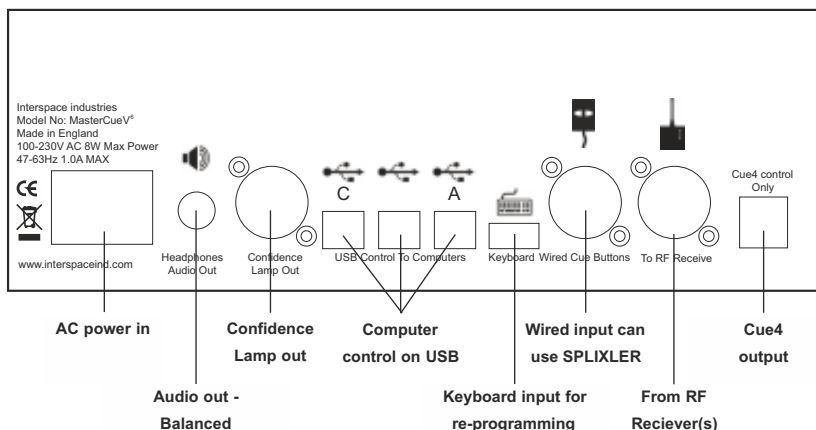


Wired Button

For when you need extra back up and safety.



Laser Handset 2 Button



CombiLamp

Up to 3 can be driven from the confidence Lamp out using a SPLIXLER (Unistand extra)

Required user parts:

- 1/4" Stereo headphones if discreet tone is required or cable to external device (Audio Desk Recording device)
- All 3 Pin XLR

Dimensions and weights mm (inch):

Main Unit

- DxWxH: 160 (6 1/4") x 255 (10") x 93 (3 5/8") (inc feet)
- Weight: 1050g (2.31lbs)

Transmitters

- Original
- DxWxH: 100 (4") x 65 (2 1/2") x 25 (1")
- Weight: 100g (3.60z)
- Laser <1mW 532nm (green)
- DxWxH: 130 (4 1/8") x 55 (2 1/4") x 30 (1 1/4")
- Weight 116g (4g)

RF Receiver

- DxWxH: 90 (3 1/2") x 90 (3 1/2") x 50 (2")
- Weight: 178g (6.3oz)

Wired button

- DxWxH: 90 (3 1/2") x 60 (2 4/10th") x 33 (1 3/10th")
- Weight: 166g (5.9oz)

Aerial:

- LxDia: 142mm (5 9/16") x 14mm (17/32")
- (433 MHz)
- Weight: 25g (1oz)

Power:

- International Power Supply 100-240VAC
- 1.0A Max 8W Max 47-63Hz IEC connector